

MOVEO

**FOUNDATION PLATE,
FIXING BASE AND EXTERNAL
STAINLESS STEEL CARTER**

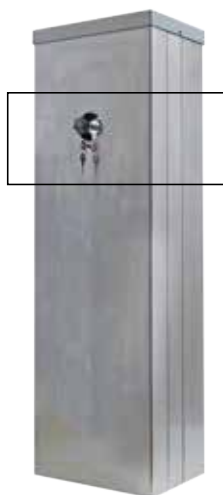
**THE BOOM IS BALANCED IN EVERY
POSITION, UP TO 5.30 m.**

**KEY MECHANICAL
UNLOCKING**

MANUAL BOOM

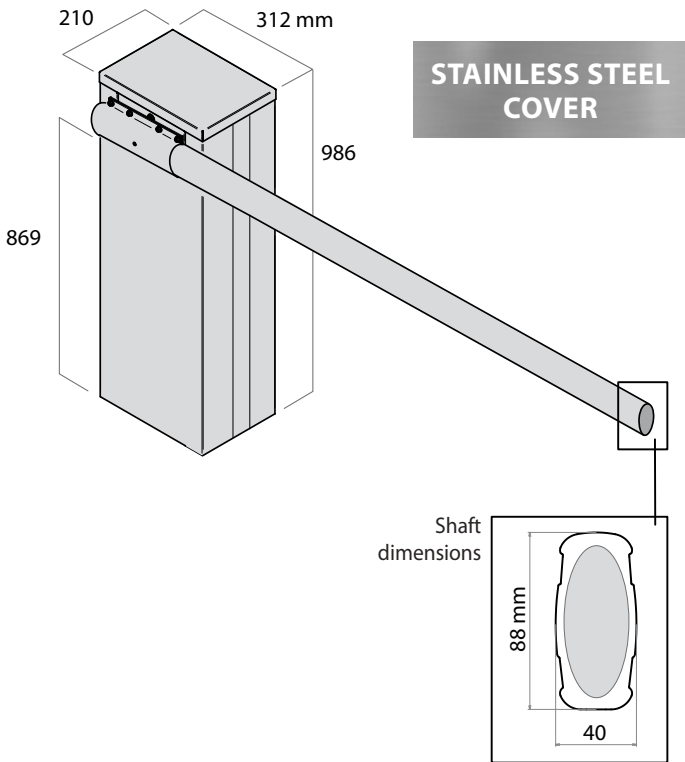


**Safe boom unlocking system with
key lock** which guarantees a safe
movement of the barrier



Thanks to the **internal linkage mechanism**, the movement of the rod is always balanced with the possibility of locking in the closed or fully open position.





APE - 150 / 6010

MOVEO
The kit includes:
- Moveo main body
- boom support

APE - 150 / 3003
Mandatory accessory

SBARRA-PF
Stainless steel plate foundation

APE - 150 / 3004

FIXED TIP SUPPORT

BOOM

	APE - 150 / 3030	APE - 150 / 3040	APE - 150 / 3045	APE - 150 / 3053	APE - 150 / 3061
	Boom length 3 mt	Boom length 4 mt	Boom length 4,5 mt	Boom length 5,3 mt	Boom length 6 mt
confirm exact length when ordering					

ACCESSORIES

APE - 150 / 3005

MOVABLE TIP SUPPORT
usable on booms up to 5,3 m

APE - 150 / 3052

SKIRT KIT length 2 mt
usable on booms up to 4,5 m

APE - 150 / 8038

UNI-SAVE
Universal protection module